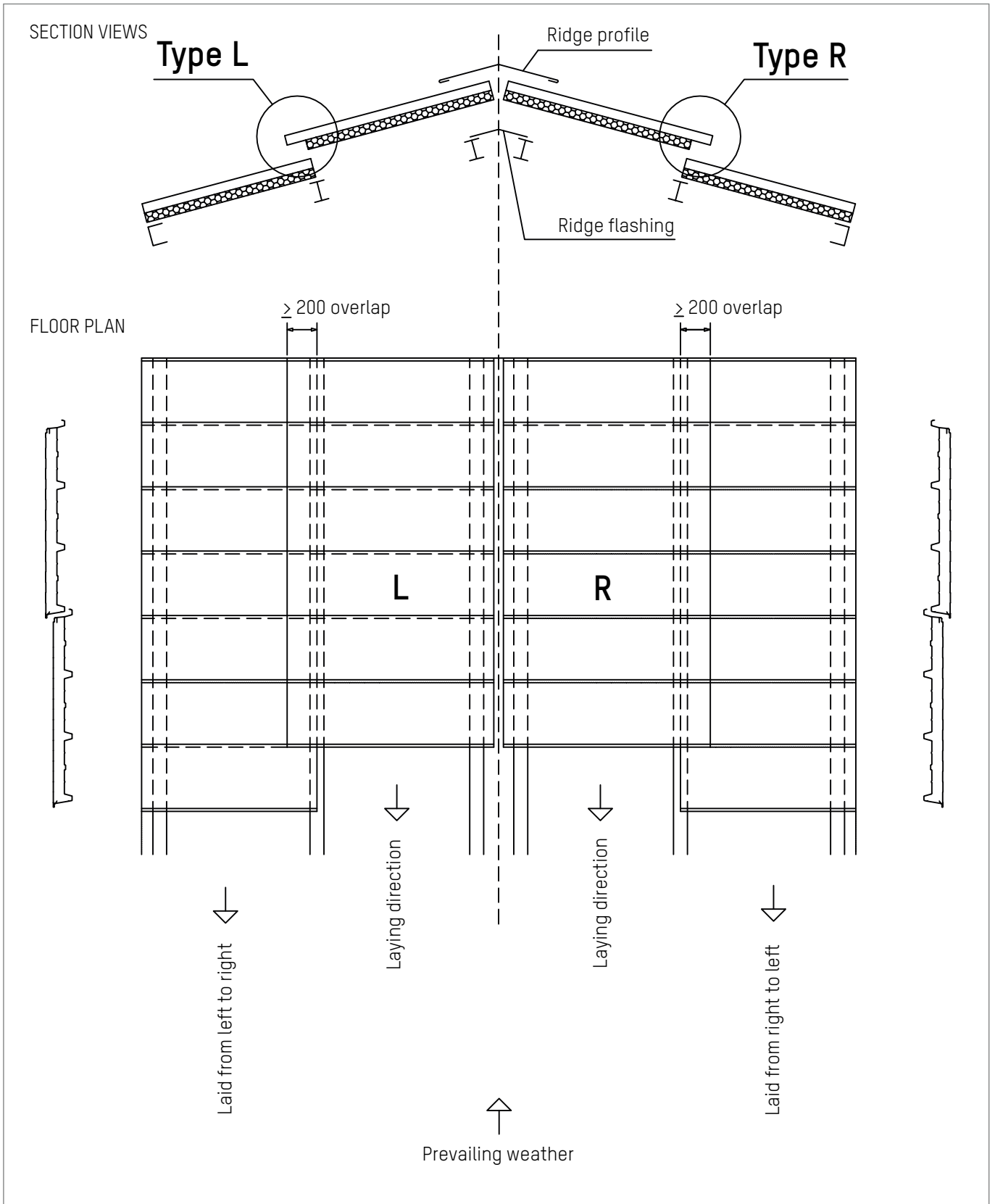


Roof panels - slope roofs

Side lap

D 201.1

As of: 11/14

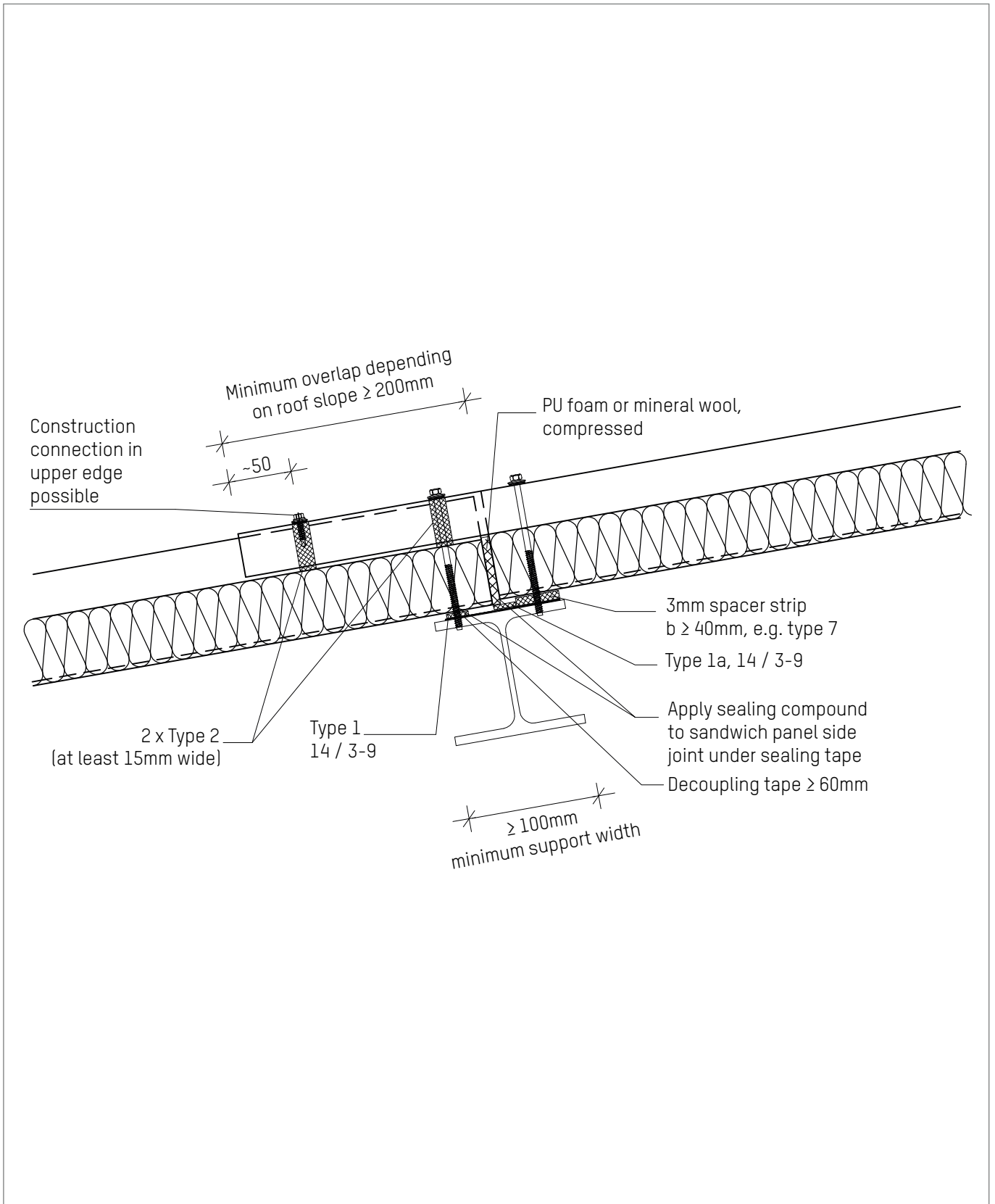


Roof panels - slope roofs

Side and end lap

D 202.1

As of: 11/14

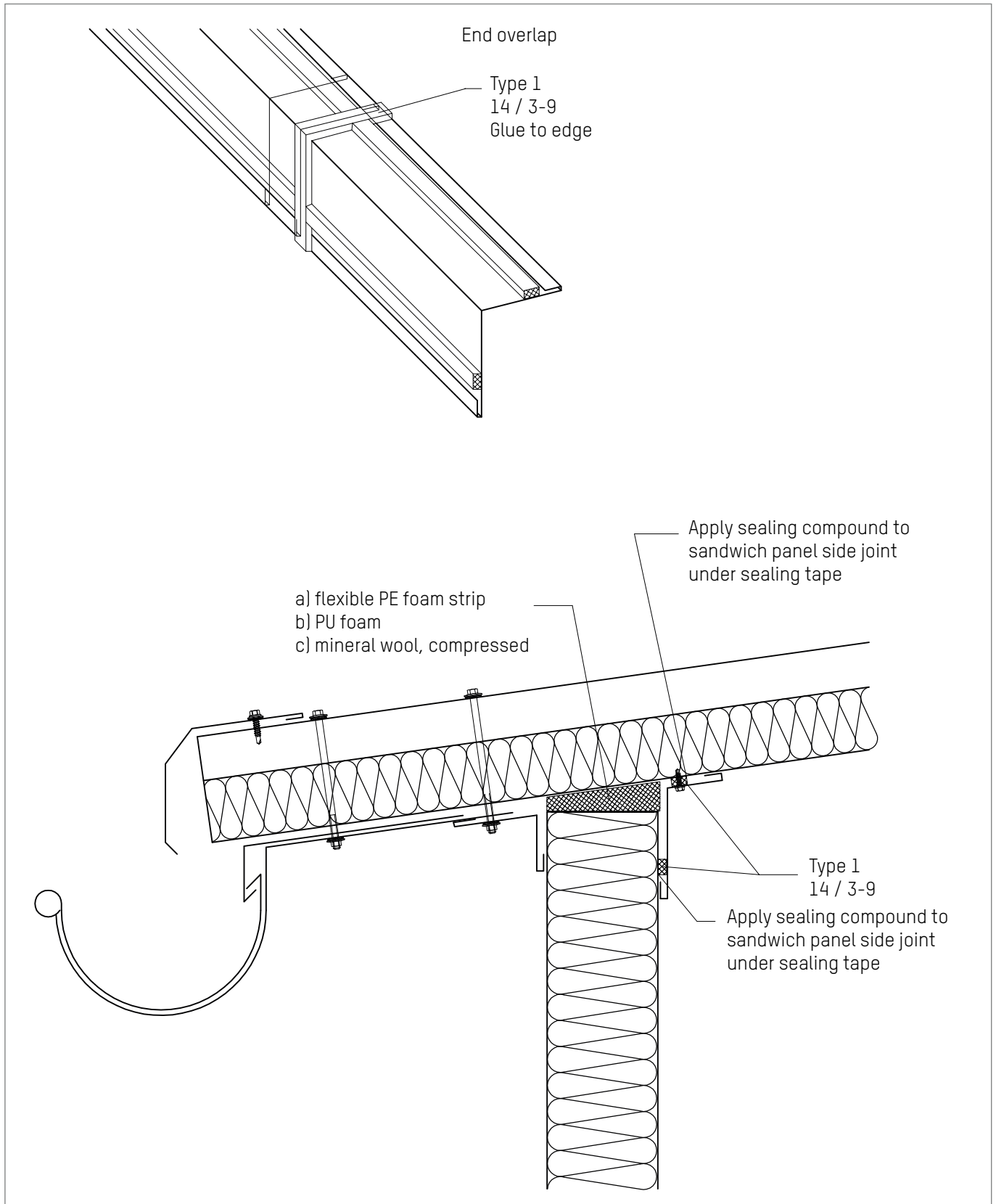


Roof panels - slope roofs

End lap

D 203.1

As of: 11/14

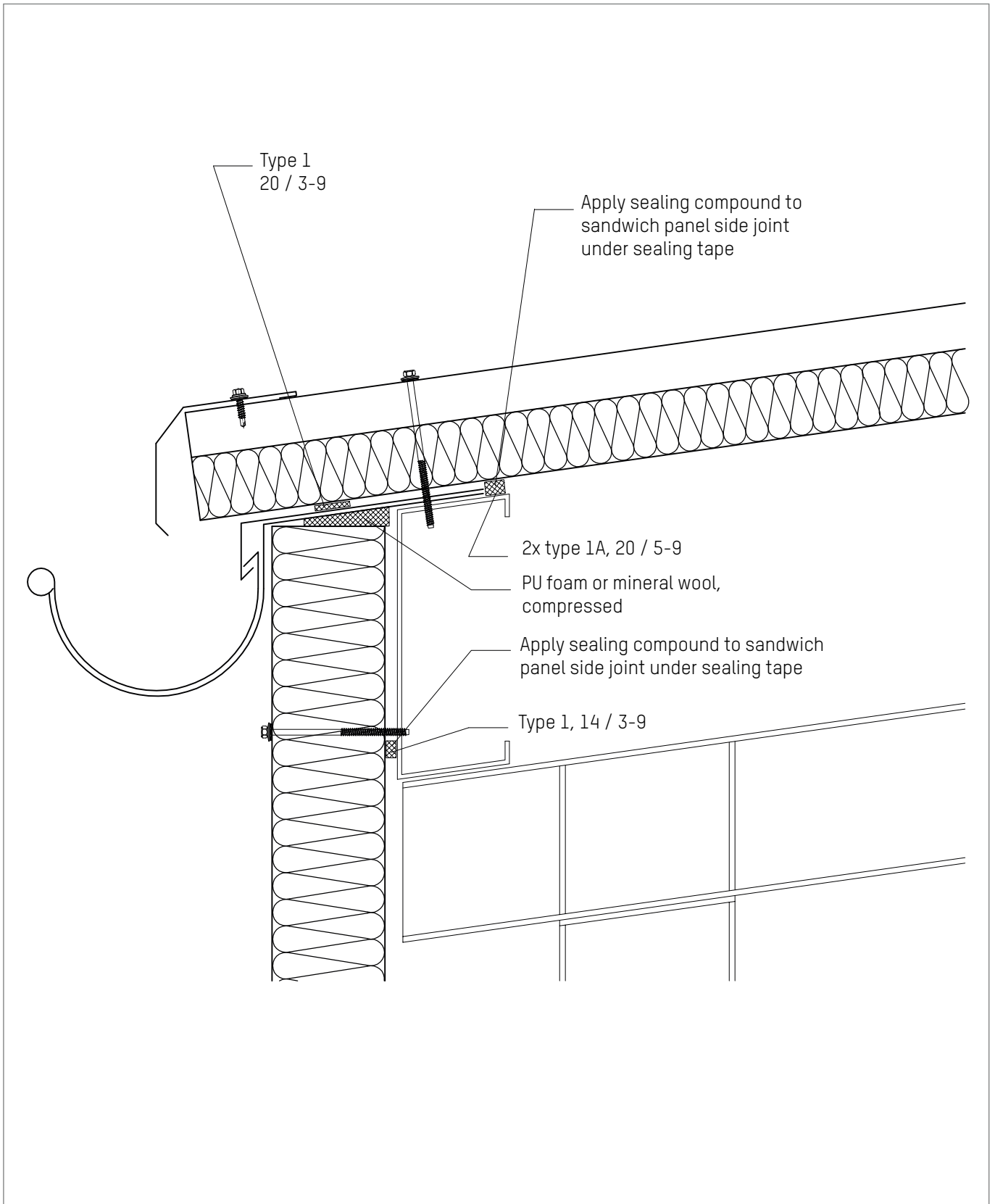


Roof panels - slope roofs

Eaves

D 204.1

As of: 11/14

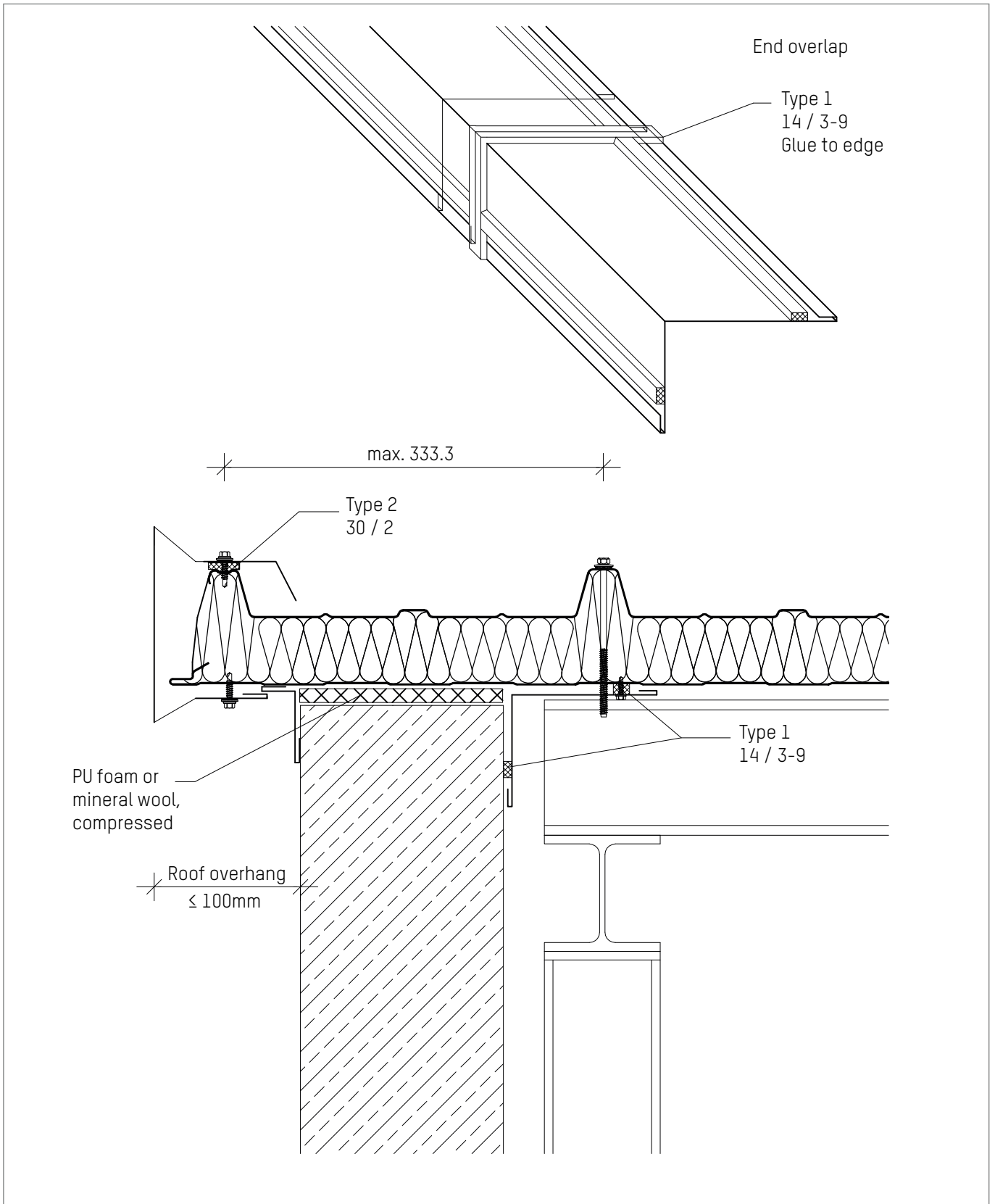


Roof panels - slope roofs

Eaves

D 205.1

As of: 11/14

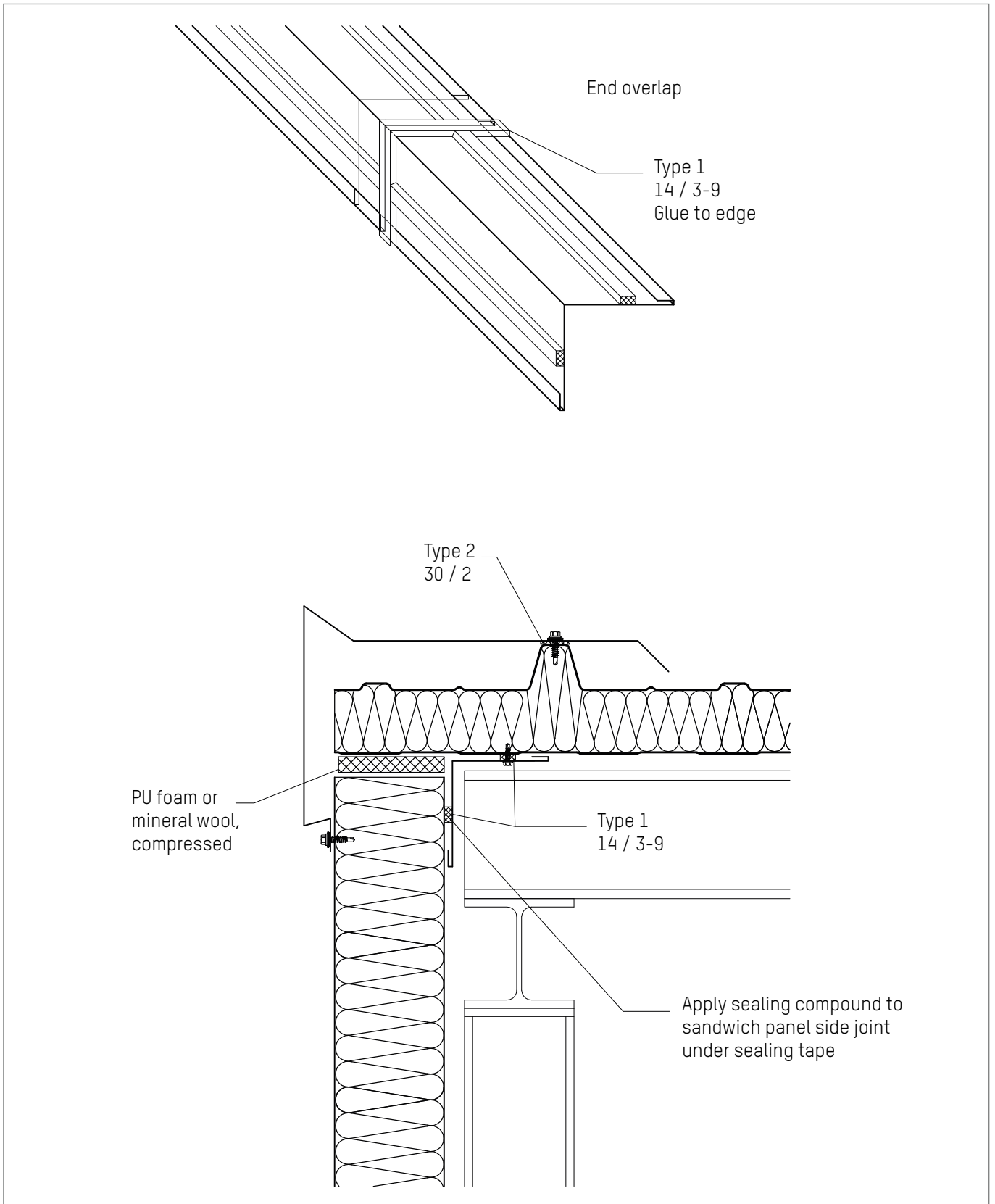


Roof panels - slope roofs

Verge

D 206.1

As of: 11/14

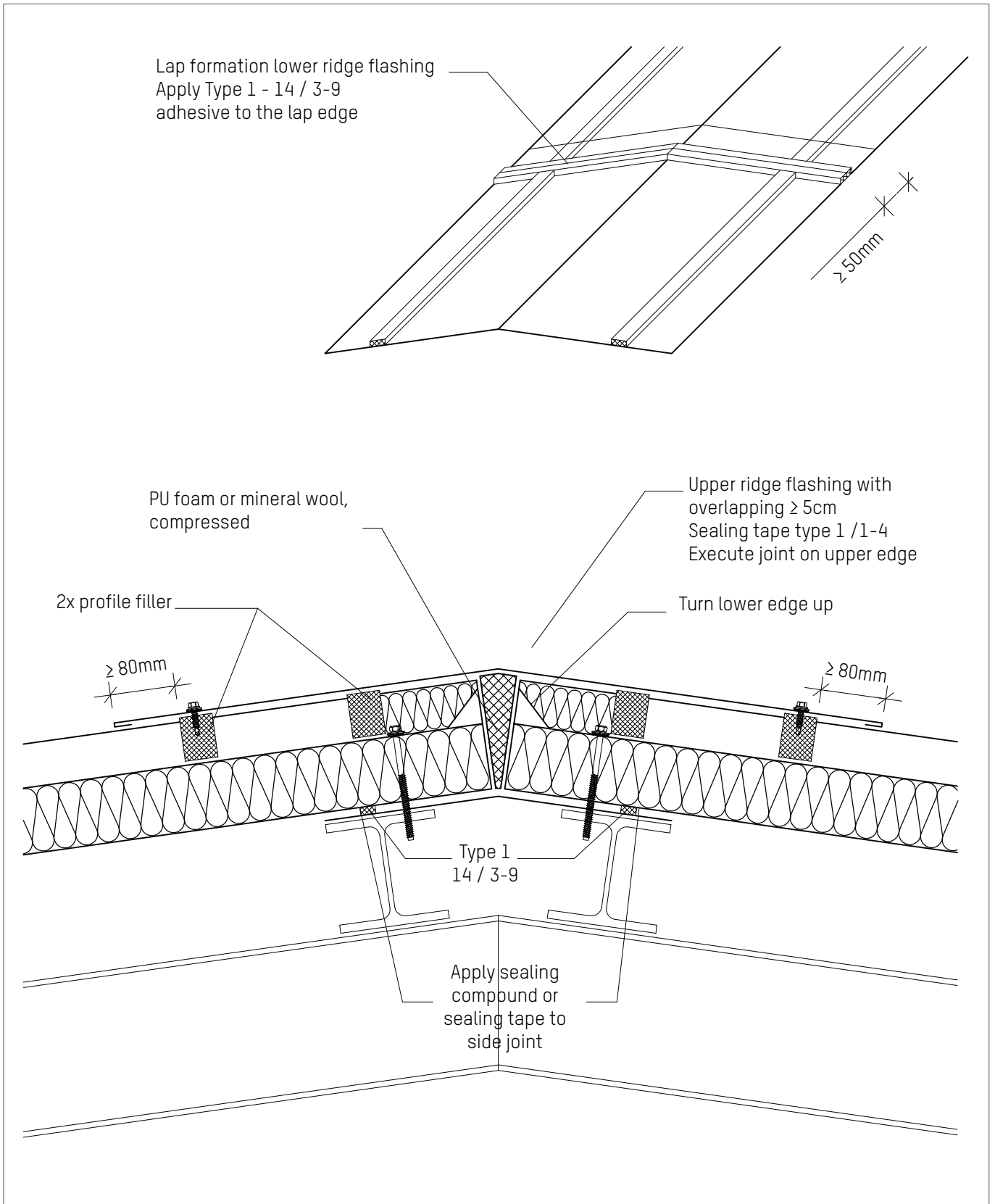


Roof panels - slope roofs

Verge

D 207.1

As of: 11/14

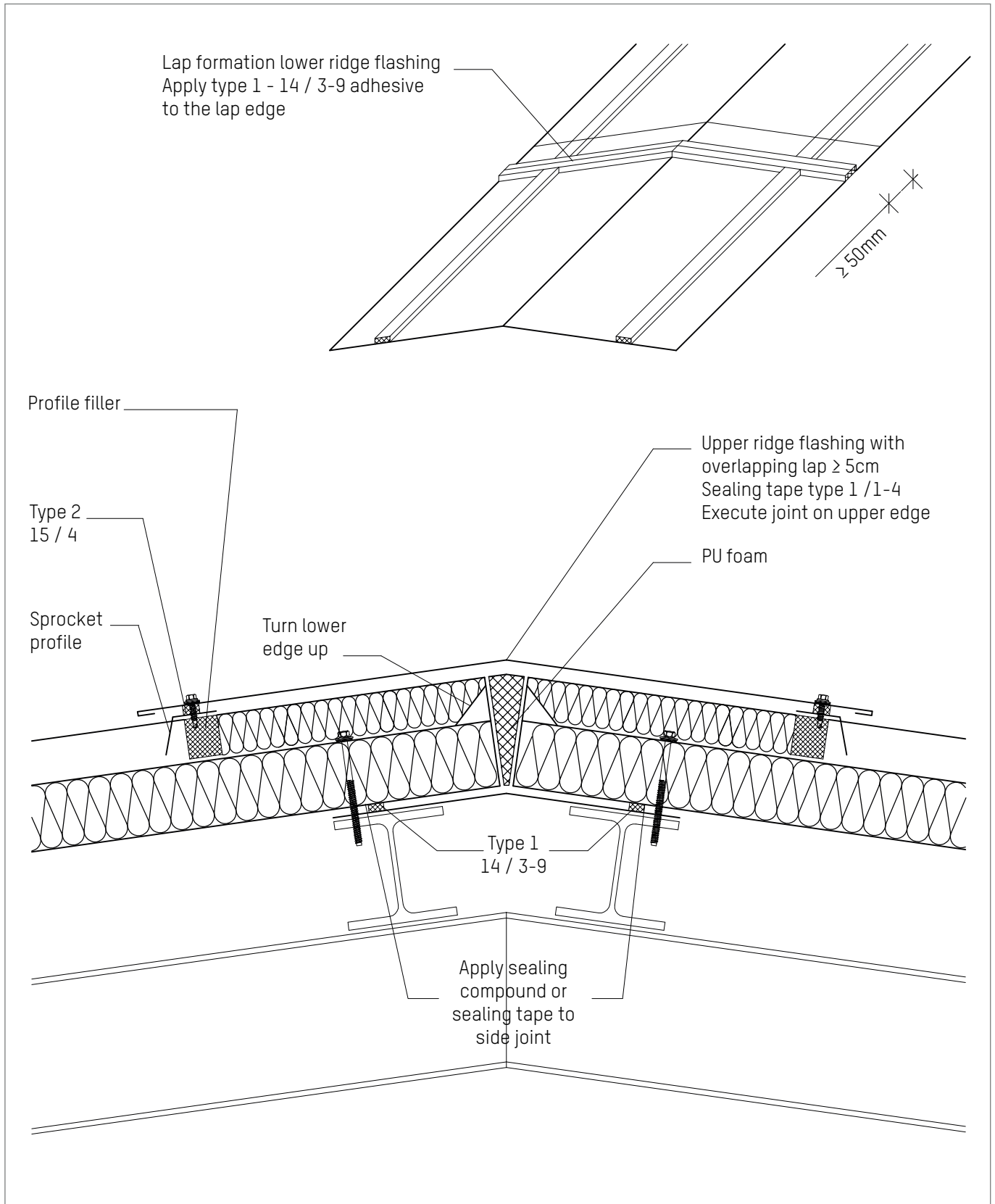


Roof panels - slope roofs

Ridge

D 208.1

As of: 11/14

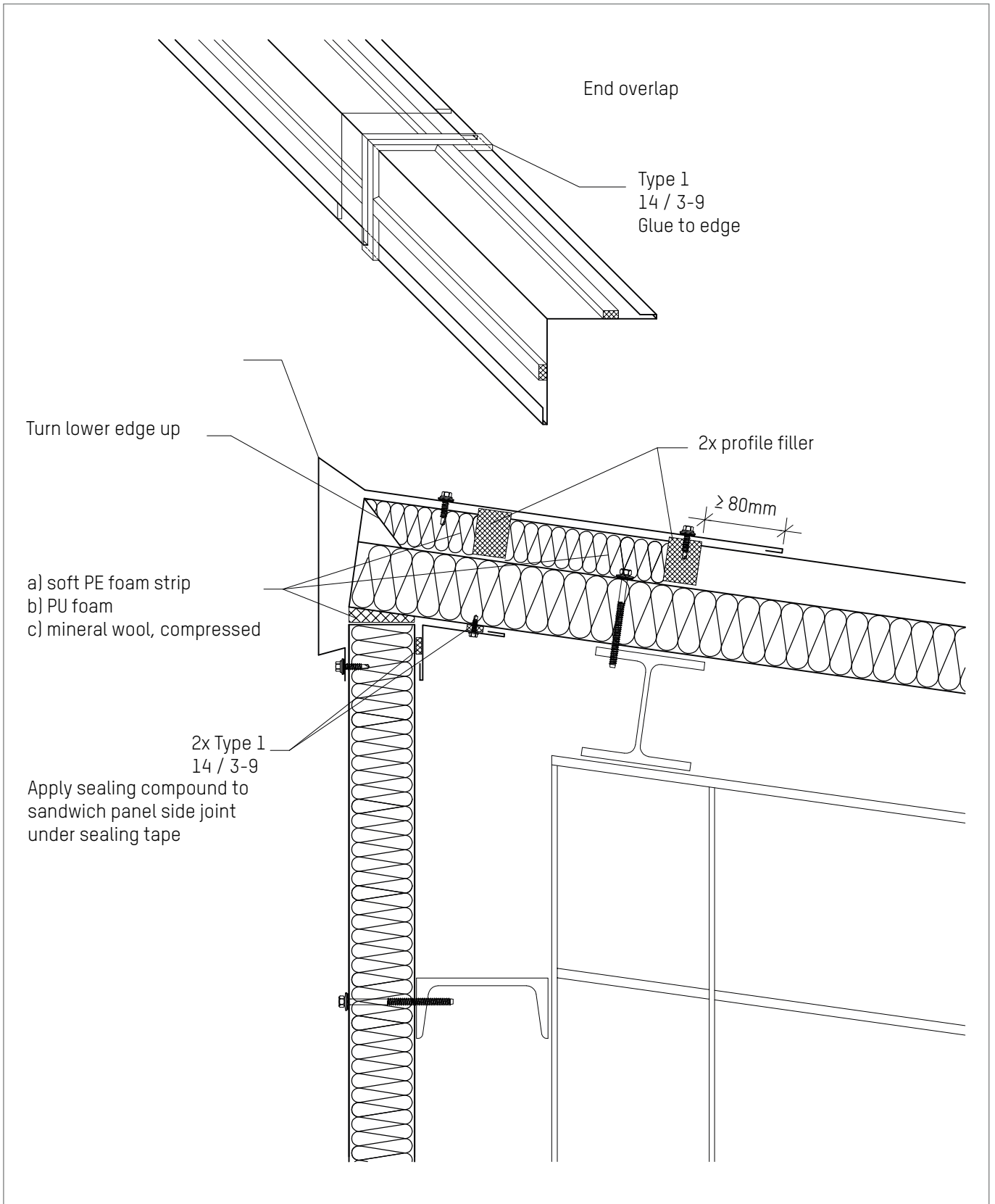


Roof panels - slope roofs

Ridge

D 209.1

As of: 11/14

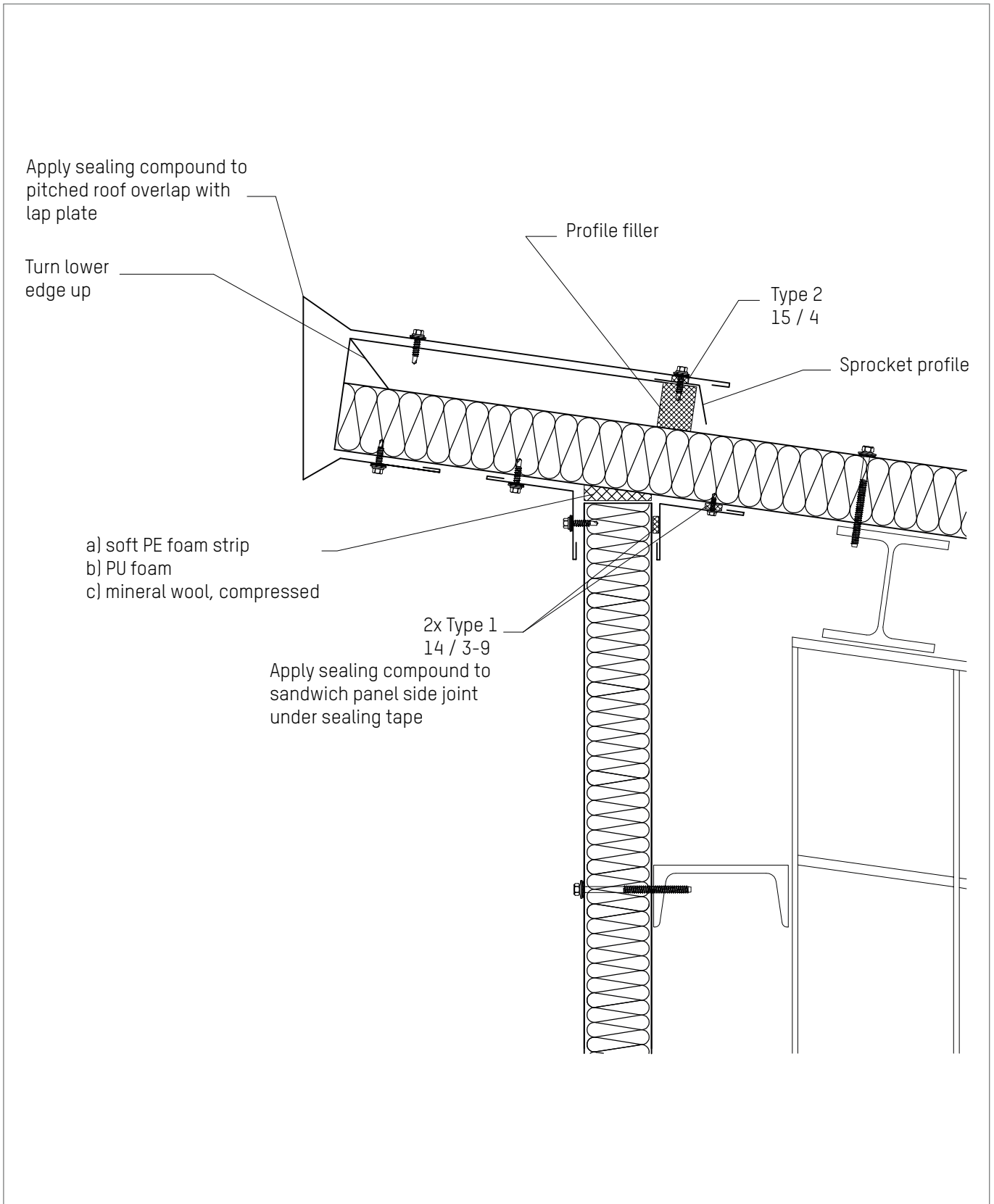


Roof panels - slope roofs

Mono ridge

D 210.1

As of: 11/14

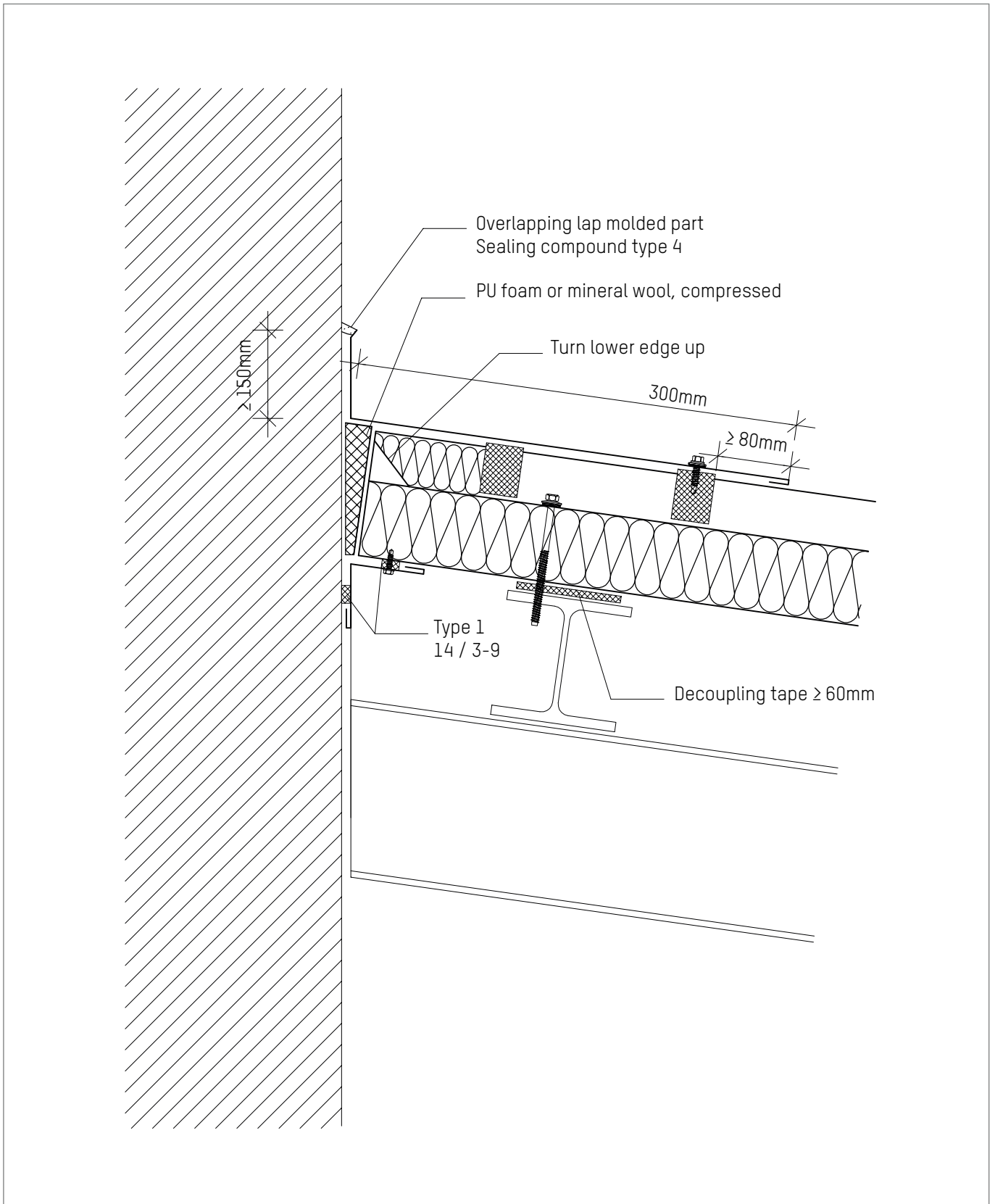


Roof panels - slope roofs

Mono ridge

D 211.1

As of: 11/14

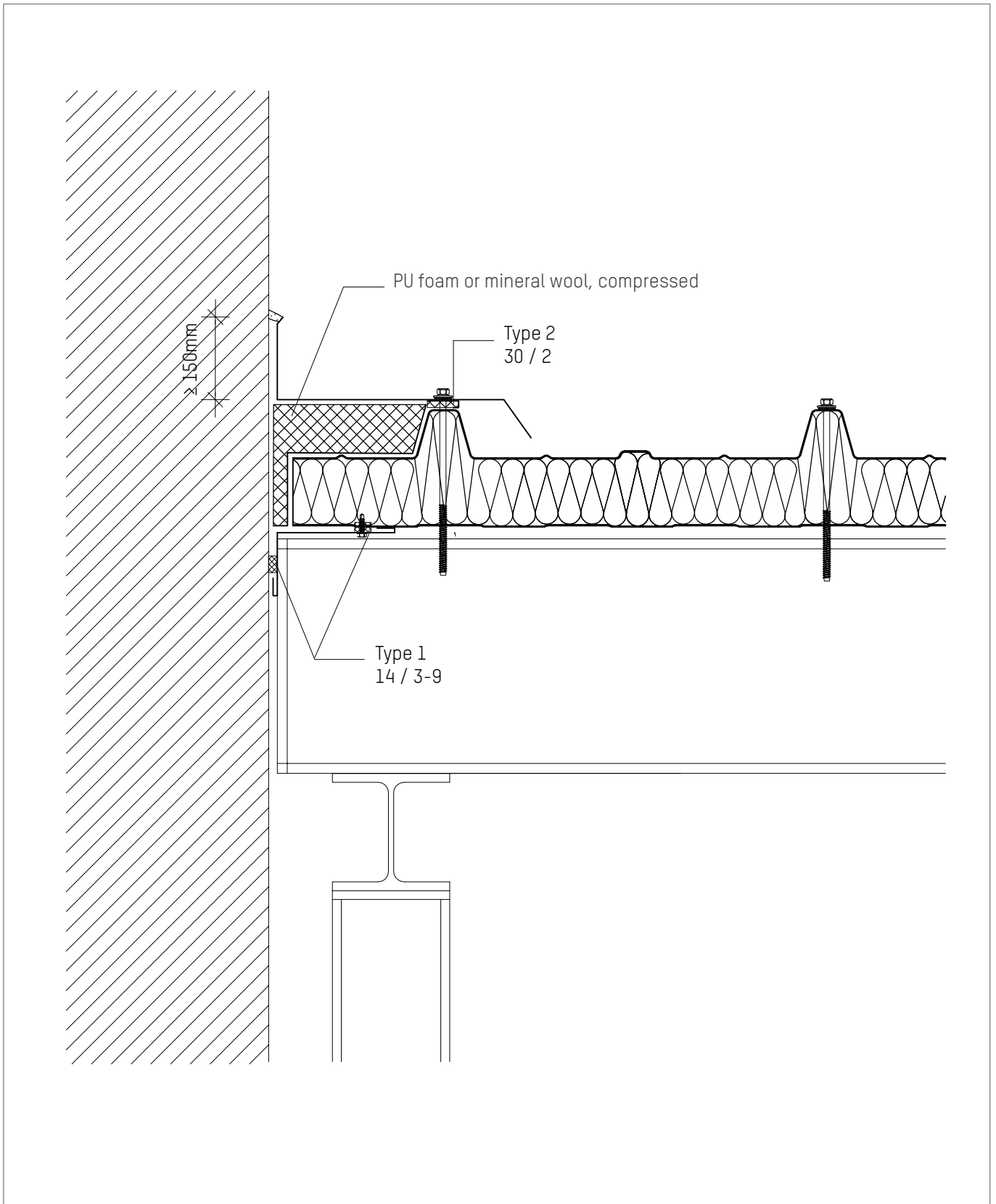


Roof panels - slope roofs

Vertical wall connection

D 212.1

As of: 11/14



Roof panels - slope roofs

Horizontal wall connection

D 213.1

As of: 11/14

Properties	DIN	Type 1	Type 1A	Type 2	Type 3	Type 4	Type 5	Type 6	Type 7
Material		PUR foam	PUR foam	Open-cell PUR foam	Butyl tape	Elasto-plastic bitumen/natural rubber	PUR Soft foam, open-cell with polypropylene film	Closed-cell PE foam (profile filler)	Closed-cell PP or PE foam (decoupling tape) and others
Stress group (SG)		SG 1	SG 1						
Acrylic polymer impregnation		Yes	Yes	Yes	No requirement	No requirement	Yes	No requirement	No requirement
Features		Self-adhesive on one side	Self-adhesive on one side, delayed decompression	Self-adhesive on one side	Self-adhesive on both sides, aluminum-laminated as required	Self-adhesive	Self-adhesive on one side	Follows molded part shape	Self-adhesive on one side acc. to DIN EN ISO 3386-1 Compression force deflection 10% \geq 250 kPa, at 25% \geq 300 kPa
Building material class	4102	B1	B1	B2	B2	B2	B2	B2	B2
Vapor diffusion resistance value	18542	$\mu \leq 100$	$\mu \leq 100$	$\mu \leq 100$	Vapor retarder	Vapor retarder	Vapor retarder		
Thermal conductivity λ max. W/(m*K)								0.04	0.055
Temperature resistance min. requirement		- 30°C to + 80°C							
Joint permeability m²/[h*m*(daPa)]	18542	$a \leq 0.1$	$a \leq 0.1$	$a \leq 0.1$	$a = 0$	$a = 0$	$a \leq 0.1$		
Driving rain resistance	18542	600Pa	600Pa	300Pa					
Weather resistance	18542	Must be fulfilled	Must be fulfilled	Must be fulfilled	Must be fulfilled UV-resistant and aluminum-laminated as required	Must be fulfilled	Must be fulfilled	Must be fulfilled UV-resistant and aluminum-laminated as required	Must be fulfilled
Compatibility with materials	18542	Must be compatible							
Dimensions in mm Min. tape width / max. joint width		14/1-3, 10/2-6 14/2-6, 14/3-9 14/5-12, 18/6-18	15/3-5 20/5-9	30/2 15/4				Profile shape modified min. 30mm	80/3 60/3 40/3