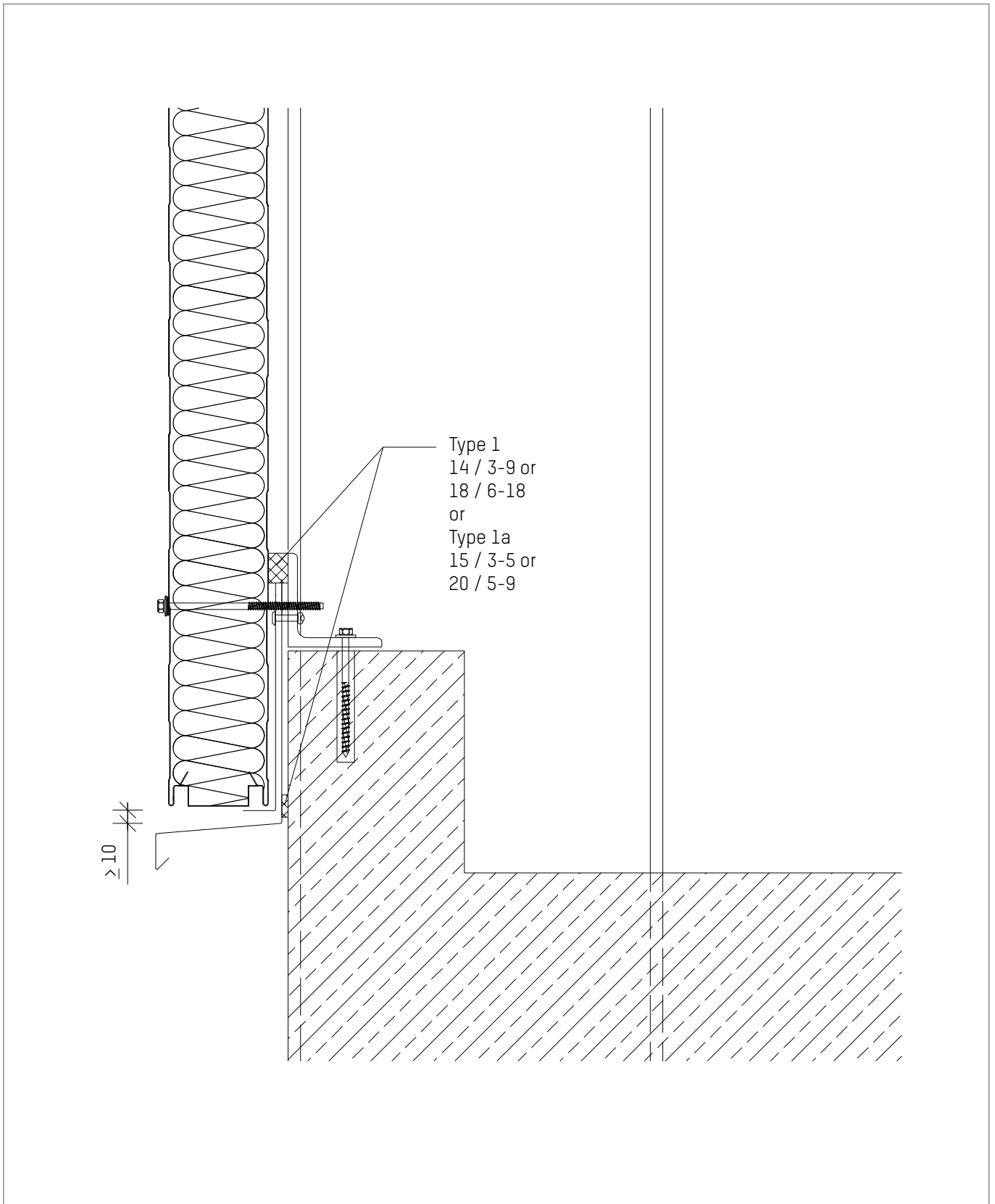


Industrial and building construction

Base

F 101.1

As of: 09/15



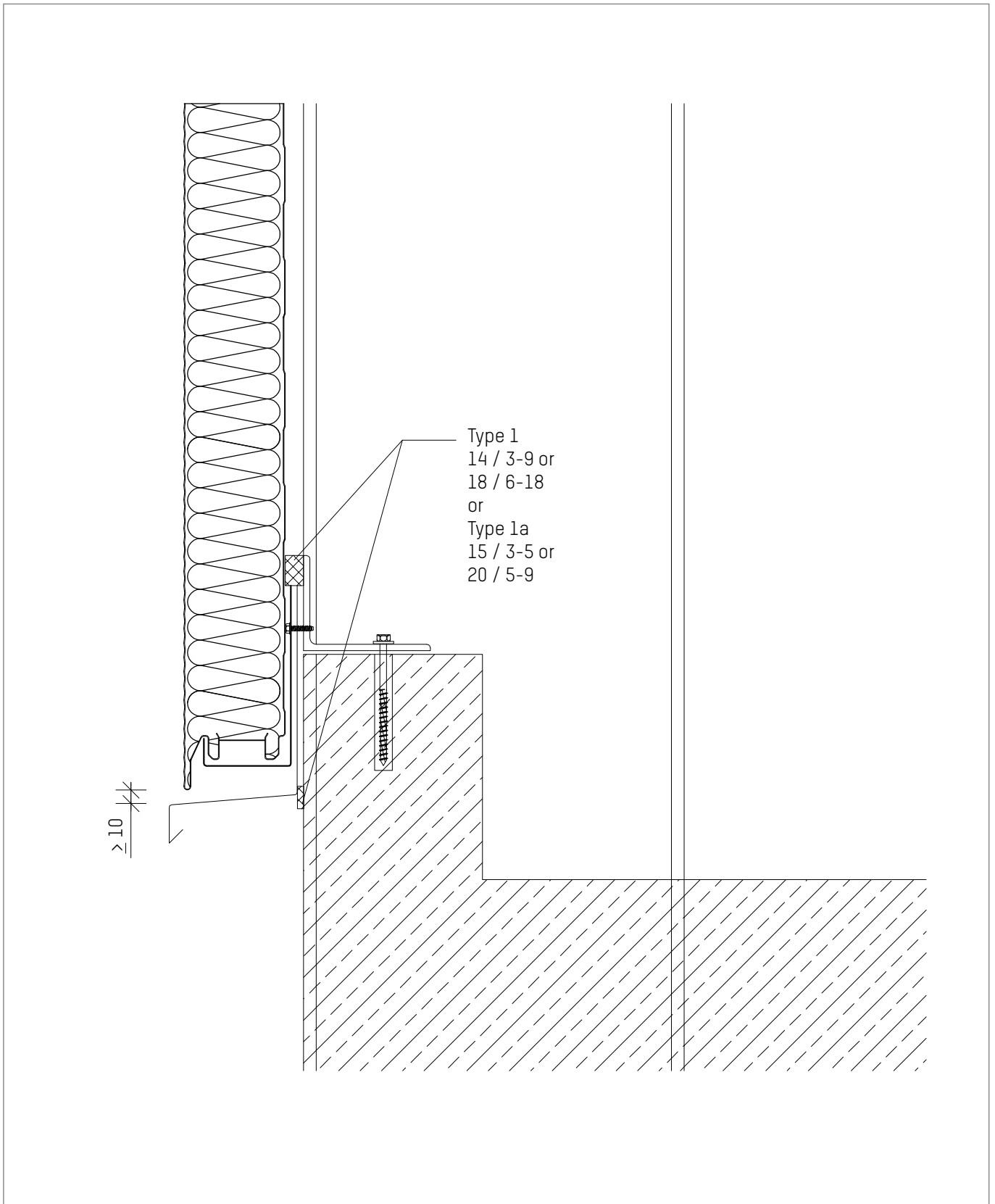
Industrial and building construction

Base

- laid horizontally -

F 102.1

As of: 09/15



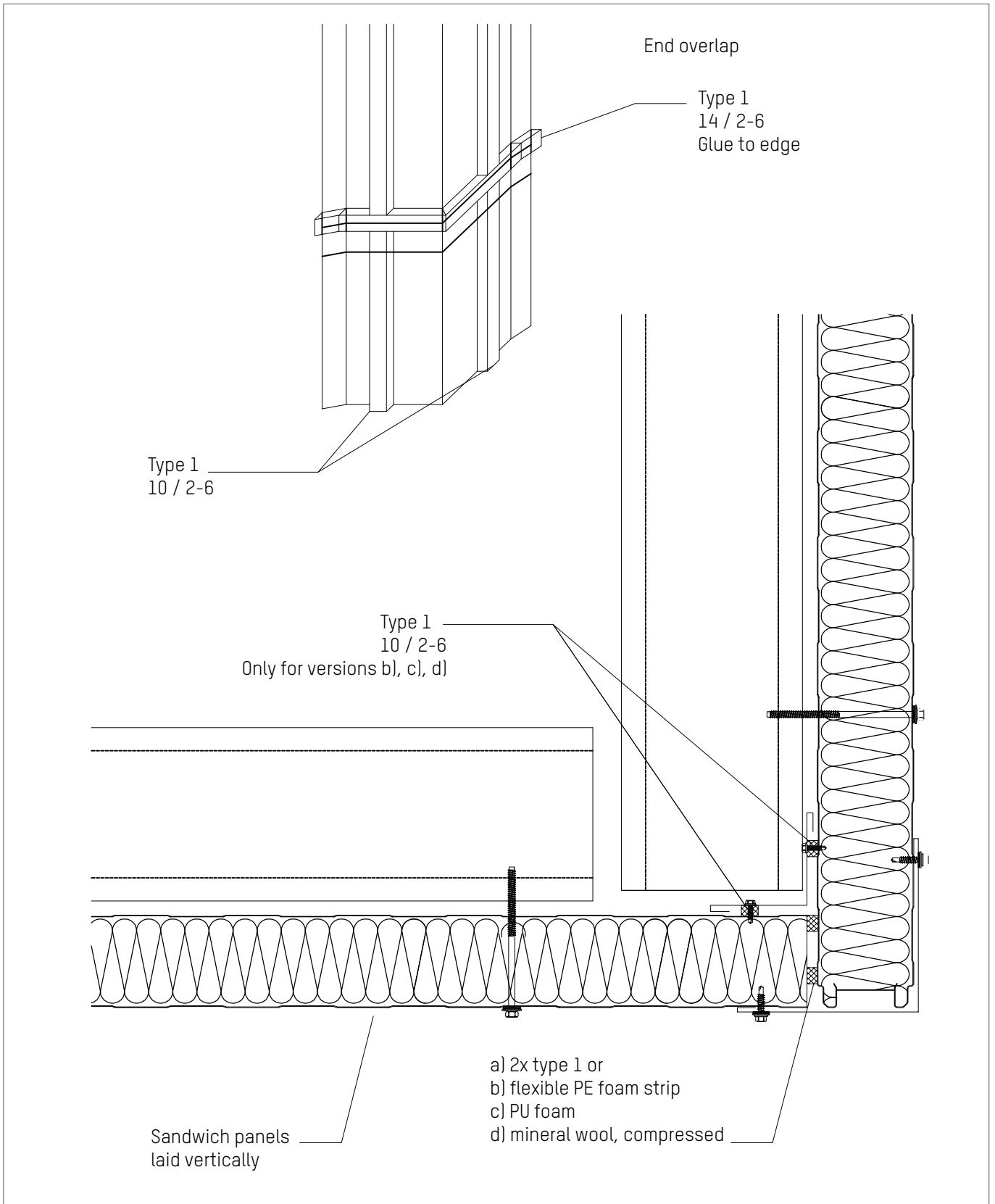
Industrial and building construction

Base

- laid horizontally -

F 103.2

As of: 09/15

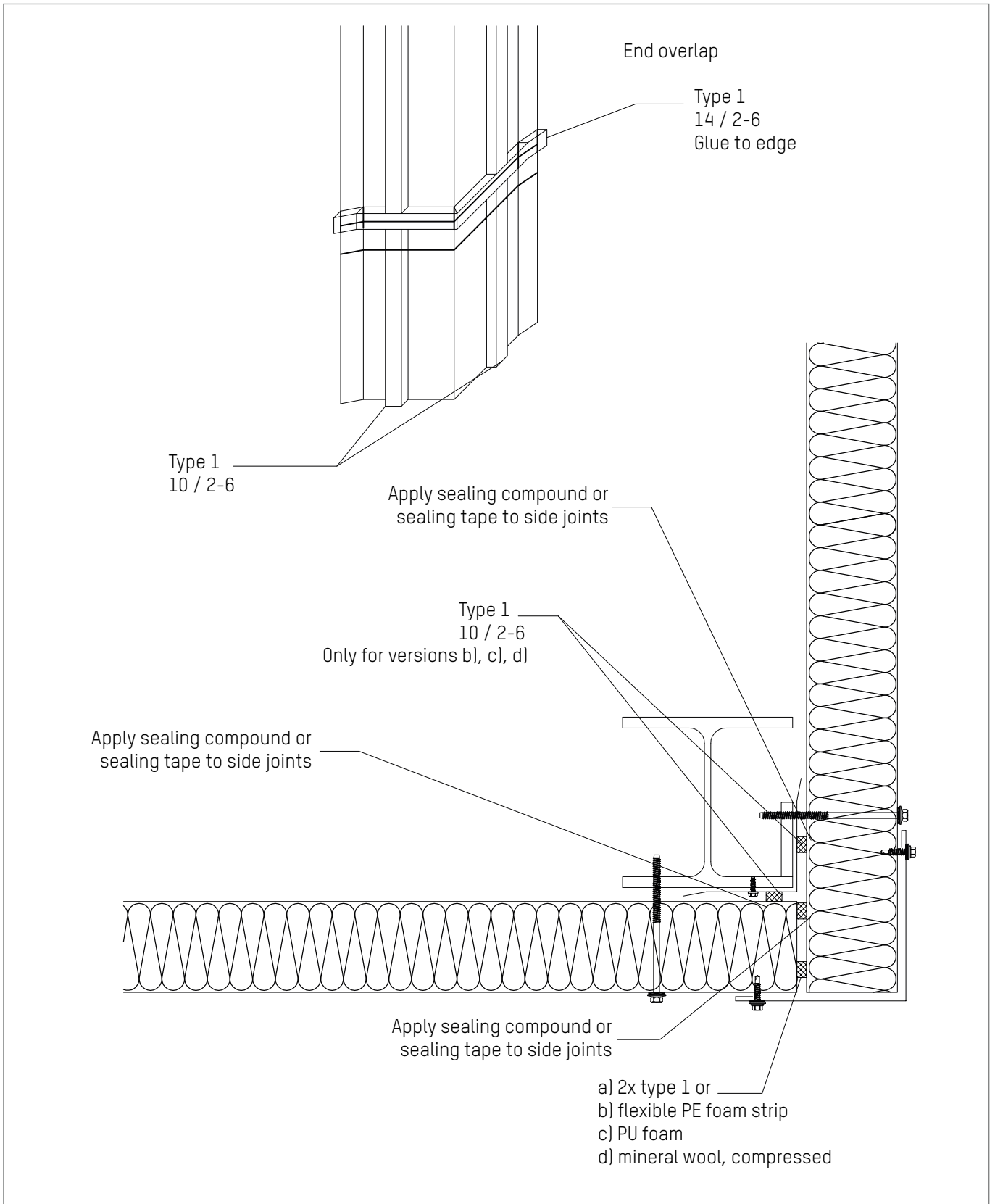


Industrial and building construction

Outside corner

F 104.1

As of: 09/15



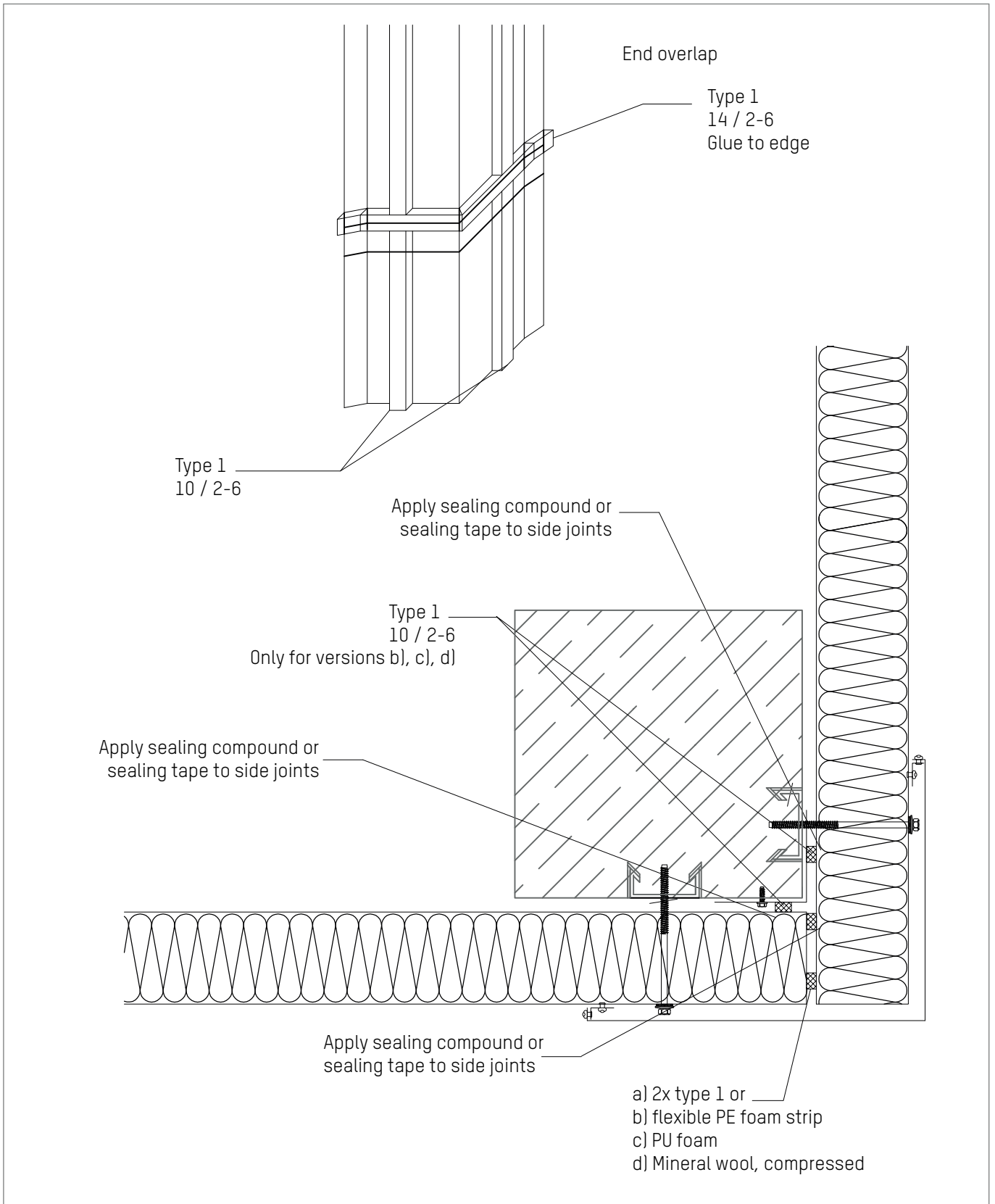
Industrial and building construction

Outer corner

- laid horizontally -

F 105.1

As of: 09/15



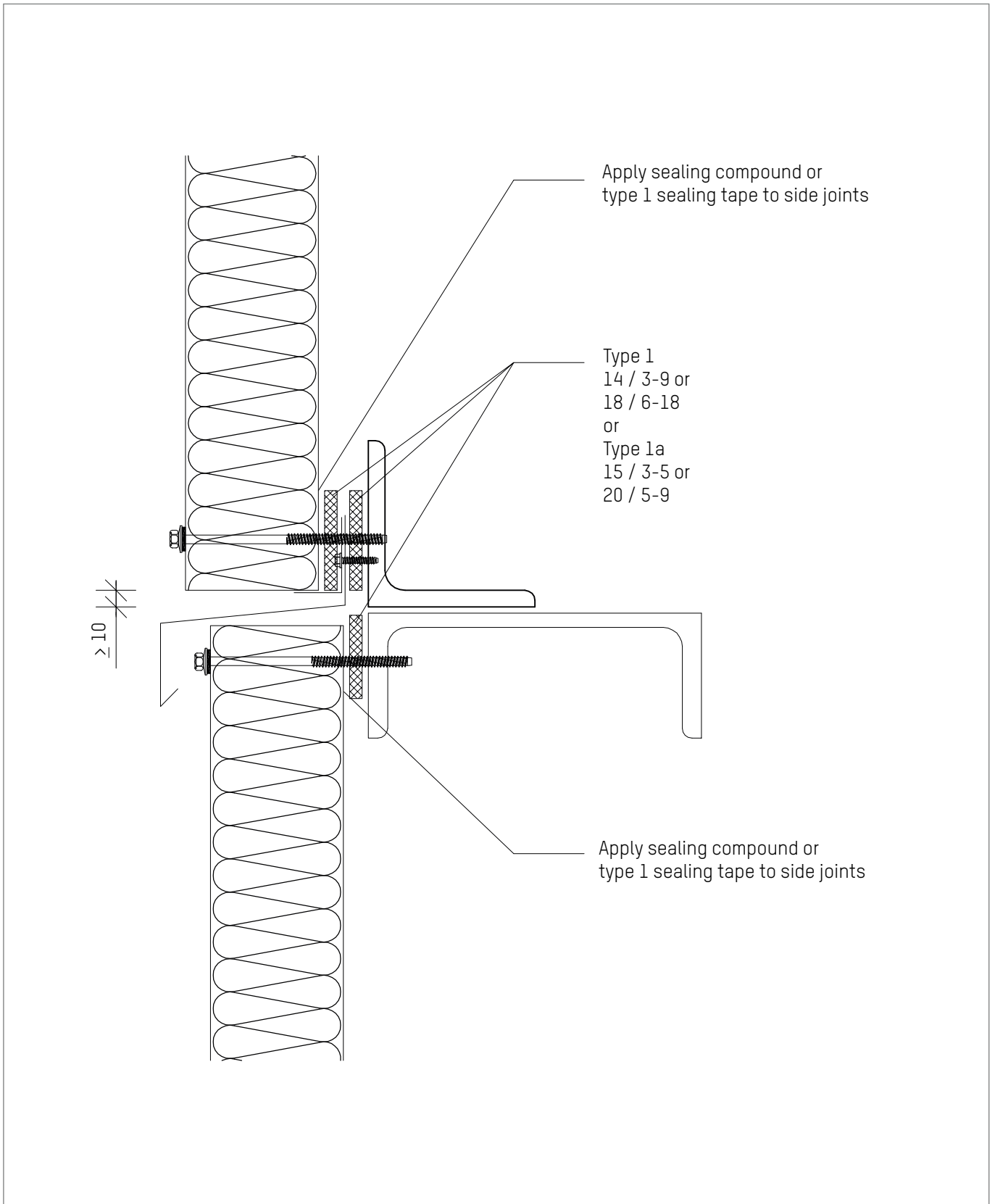
Industrial and building construction

Outer corner

- laid horizontally -

F 106.1

As of: 09/15

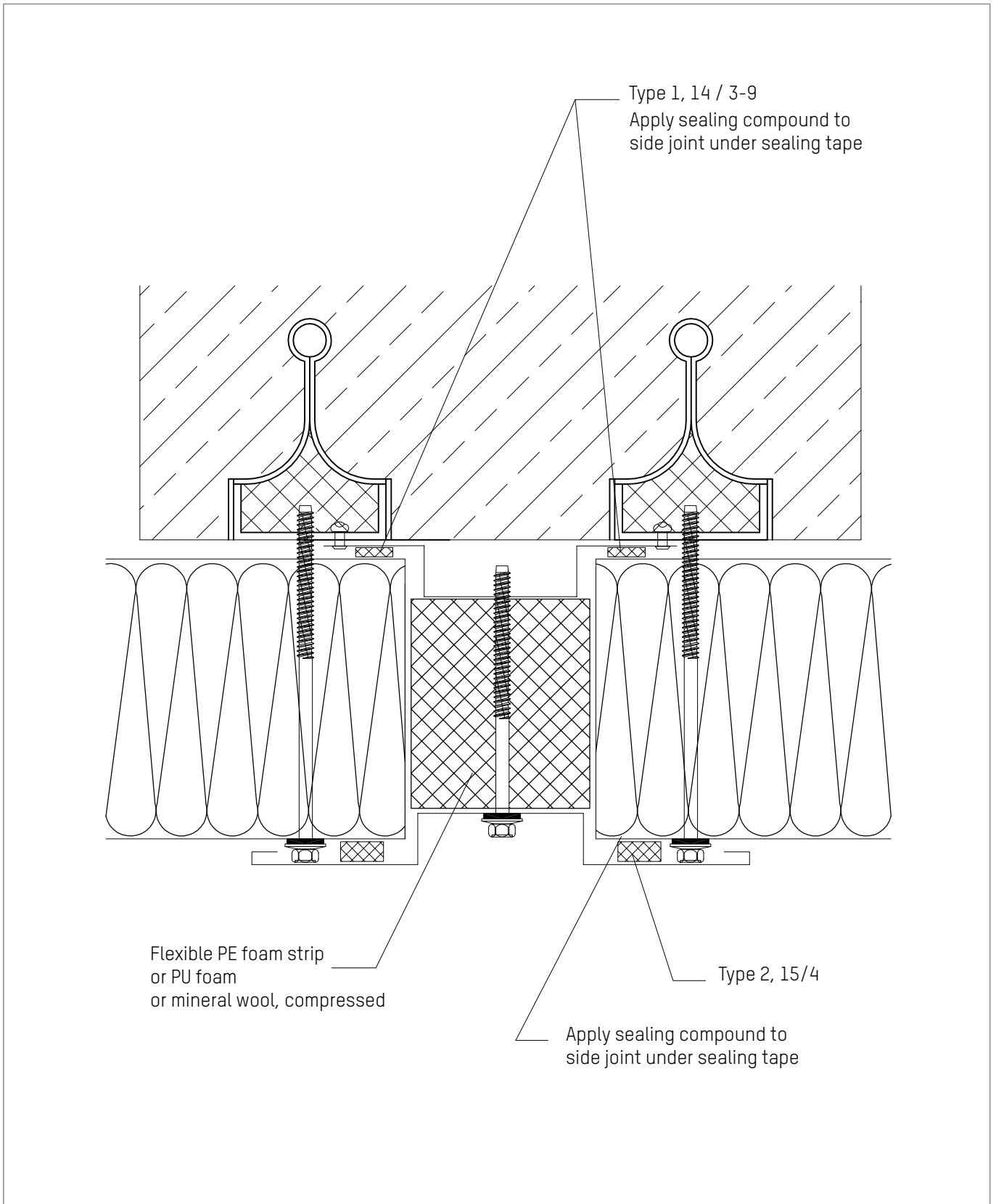


Industrial and building construction

End lap

F 107.1

As of: 09/15



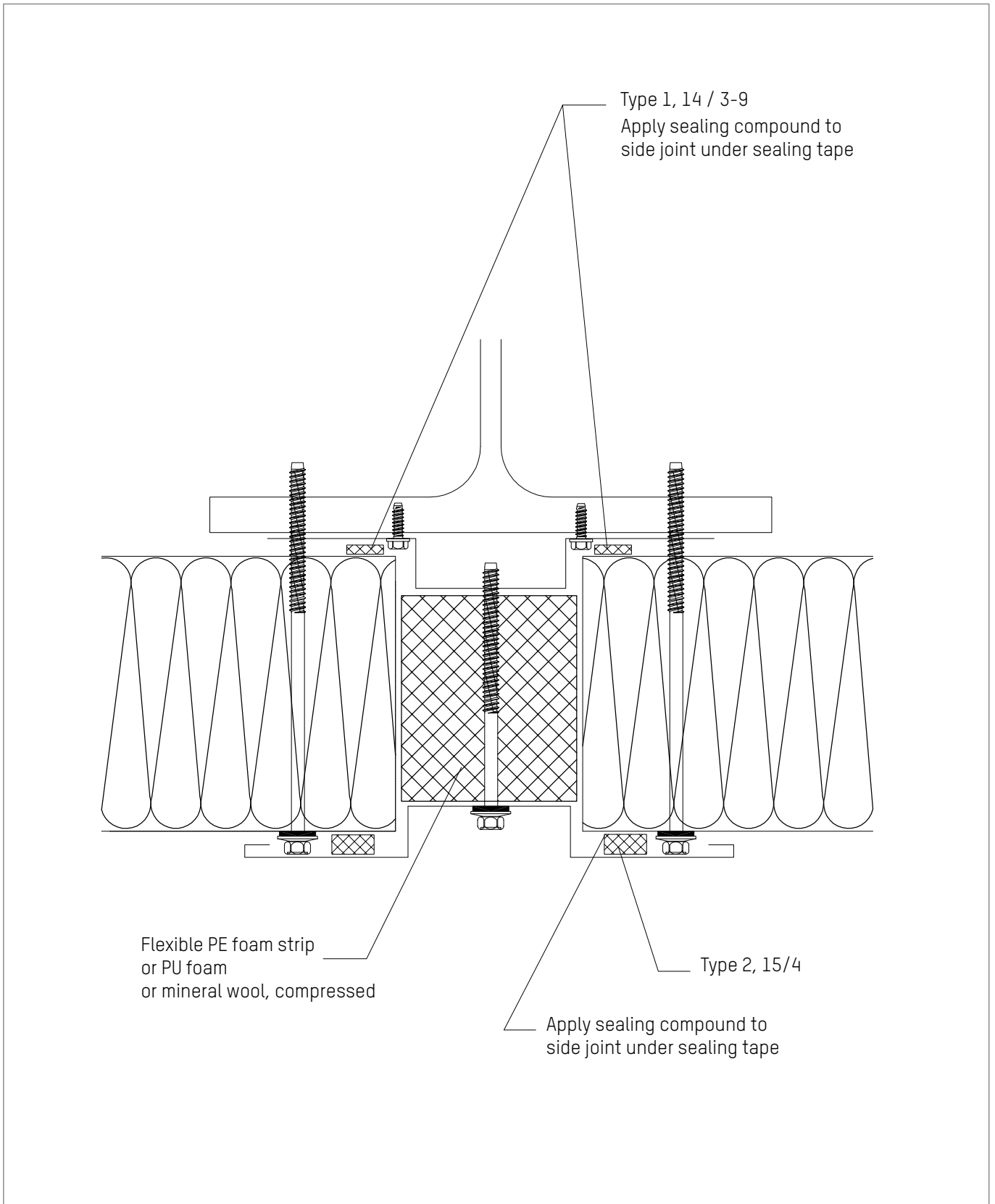
Industrial and building construction

Sandwich panel joint with pilaster

- laid horizontally -

F 108.1

As of: 09/15



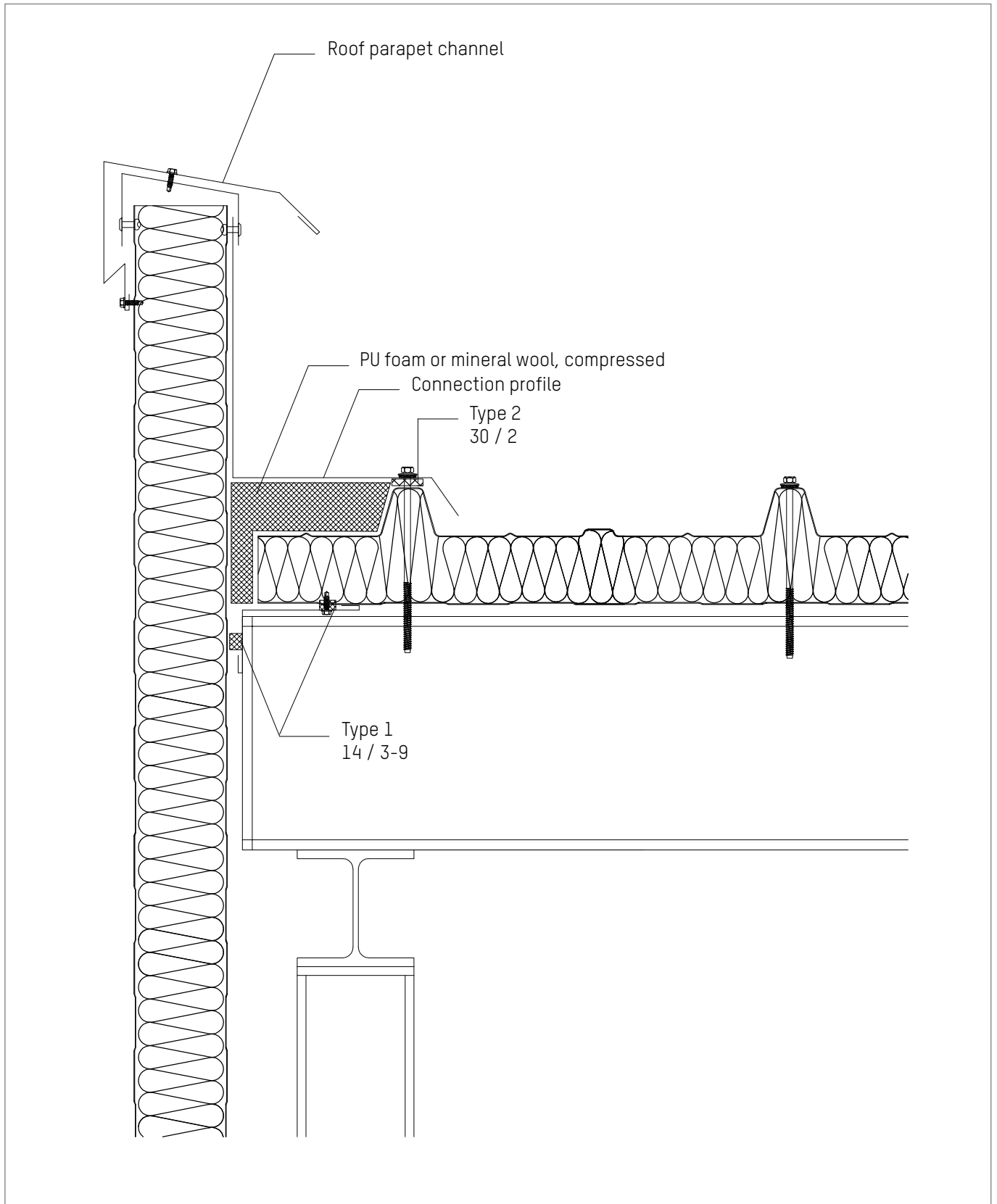
Industrial and building construction

Sandwich panel joint with pilaster

- laid horizontally -

F 109.1

As of: 09/15



Industrial and building construction

Roof parapet channel

F 110.1

As of: 09/15

Properties	Type 1	Type 1A	Type 2	Type 3	Type 4	Type 5	Type 6	Type 7
Material	PUR foam	PUR foam	Open-cell PUR foam	Butyl tape	Elasto-plastic bitumen/natural rubber	PUR Soft foam, open-cell with polypropylene film	Closed-cell PE foam (profile filler)	Closed-cell PP or PE foam (decoupling tape) and others
Stress group (SG)	SG 1	SG 1	Yes	No requirement	No requirement	Yes	No requirement	No requirement
Acrylic polymer impregnation	Yes	Yes	Yes	No requirement	No requirement	Yes	No requirement	No requirement
Features	Self-adhesive on one side	Self-adhesive on one side, delayed decompression	Self-adhesive on one side	Self-adhesive on both sides, aluminum-laminated as required	Self-adhesive	Self-adhesive on one side	Follows molded part shape	Self-adhesive on one side acc. to DIN EN ISO 3386-1 Compression force deflection 10% \geq 250 kPa, at 25% \geq 300 kPa
Building material class	B1	B1	B2	B2	B2	B2	B2	B2
Vapor diffusion resistance value	$\mu \leq 100$	$\mu \leq 100$	$\mu \leq 100$	Vapor retarder	Vapor retarder	Vapor retarder		
Thermal conductivity λ max. W/(m*K)							0.04	0.055
Temperature resistance min. requirement	- 30°C to + 80°C							
Joint permeability m ² /[h*m*(daPa) ^{1/2}]	$a \leq 0.1$	$a \leq 0.1$	$a \leq 0.1$	$a = 0$	$a = 0$	$a \leq 0.1$		
Driving rain resistance	600Pa	600Pa	300Pa	Must be fulfilled UV-resistant and aluminum-laminated as required	Must be fulfilled	Must be fulfilled	Must be fulfilled UV-resistant and aluminum-laminated as required	Must be fulfilled
Weather resistance	Must be fulfilled	Must be fulfilled	Must be fulfilled	Must be fulfilled	Must be fulfilled	Must be fulfilled	Must be fulfilled	Must be fulfilled
Compatibility with materials	Must be compatible							
Dimensions in mm Min. tape width / max. joint width	14/1-3, 10/2-6 14/2-6, 14/3-9 14/5-12, 18/6-18	15/3-5 20/5-9	30/2 15/4				Profile shape modified min. 30mm	80/3 60/3 40/3