

ROMA INSULATION SYSTEMS

---

# Panels for slope roofs

---

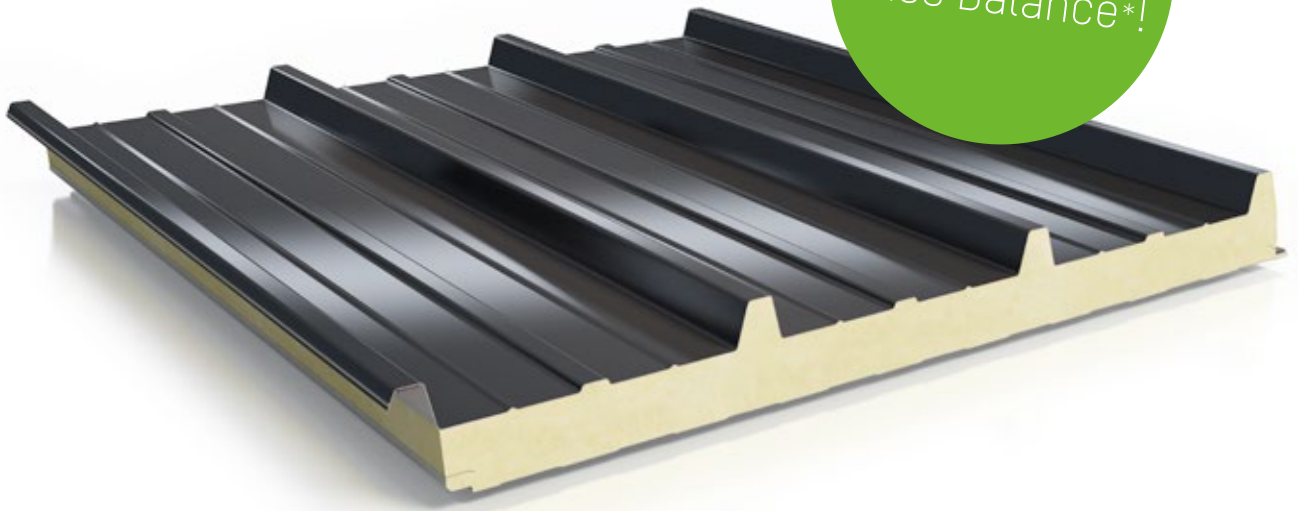
Quick-assembly insulating panel,  
type D

SO EVERYTHING FITS. **ROMA**

## ROMA quick-assembly insulating panel, type D

### Quality you can count on

Available with  
Mass Balance\*!



The type D roof panel is the central element of the ROMA construction system. It consists of two steel cladding layers and a rigid PIR foam core with a factory-installed triple-seal joint. The best qualities are combined for your roof inside and outside: rugged surface finishes and excellent insulating properties.

This sandwich panel element is 1000mm wide and comes in various lengths up to 24m. Because of its optimized profiling, this panel is also suitable for oversized spans.

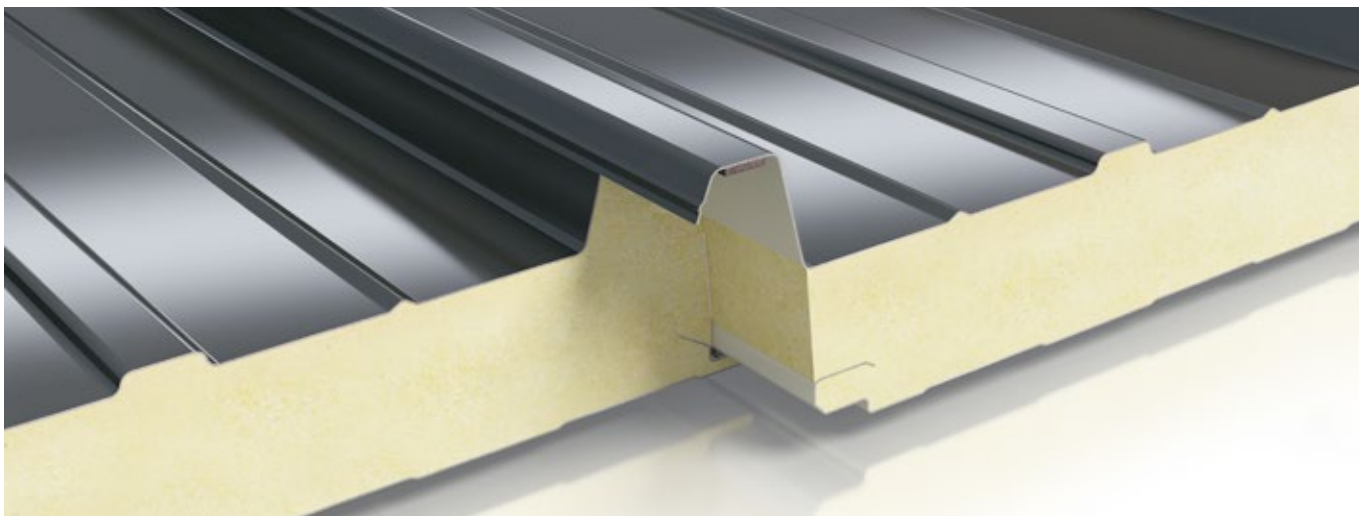
Last but not least: The ROMA type D quick-assembly insulating panel comes in many different versions. We can supply panels in various thicknesses, in a range of surface finishes and a wide variety of colors to match your construction project requirements.



Production building with 24m roof panels

## Assembly and joint technology

### Easy assembly – advanced joint technology



Overlapping bead



Example of roof assembly with traverse

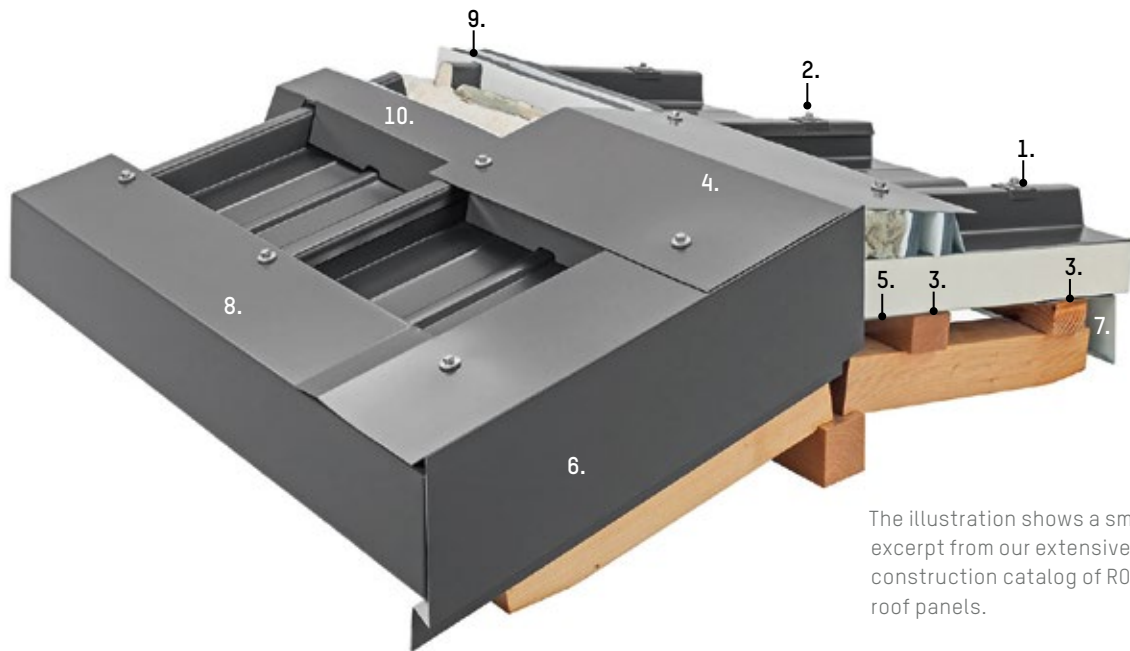
#### Assembly process

Benefit from simple and rapid assembly. Due to their extreme length, most ROMA panel roof membranes can be laid in one piece. Laying of the roof panels is carried out by overlapping the beads. To do this, the non-foamed sheet metal portion of the panel is placed on the opposite section of the next panel. We recommend laying panels towards where weather systems come from.

#### How you benefit:

- Insulation and roof cladding in one element
- Precision joints free of thermal bridges
- Ready to walk on and self-supporting
- Laying possible in any weather
- Rapid and easy assembly
- Roof cladding with protective foil for transport and assembly
- Delivered to building site free of charge on request
- Bundling of elements as specified
- Same geometry and appearance as the type FD MW roof panel
- Comes in various lengths up to 24m without transverse joint

## Roofing accessories – your single source supplier



The illustration shows a small excerpt from our extensive construction catalog of ROMA roof panels.

Practical, high quality ROMA accessories turn our ROMA roof panels into a modern roofing system allowing all construction connections and details to be implemented perfectly.

Whether as a steel, aluminum or wood construction: The ROMA roof panel and its system accessories offer elegant connection constructions in such areas as:

- Ridge and eaves structures for shed roofs and gable roofs
- Load-bearing construction connections
- Connections on other buildings
- Skylights
- Light strips

### ROMA roof panel accessories

1. Fixing caps
2. Retaining screws
3. Sealing and separating strips
4. Ridge profile
5. Ridge flashing
6. Verge profile
7. Gutter inflow sheet
8. Water deflector plate
9. Bead filler strip
10. Cog sheeting

See the roof flashing catalog for the complete range of ROMA accessories. In addition, we also produce specialized accessory parts to order.

Please contact us for any advice or information you may need.

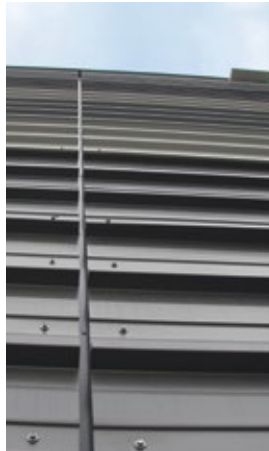
# Efficient construction and many applications

## Panel lengths up to 24m

ROMA roof panels have excellent static test values thanks to the special design of their trapezoidal profile and the force-locked connection with the rigid foam core. Their high degree of stiffness, load-carrying capacity and relatively lightweight design make exceptional panel lengths of up to 24m possible.

## The highest thermal insulation requirements

Energy-saving regulations in Germany continue to require a high degree of thermal insulation. These requirements can be easily fulfilled with ROMA: Thanks to the threefold sealing system, you too can achieve optimal thermal insulation and outstanding insulating values on your roof.



Roof laid as wall



Production building with office

## Also ideal for roof refurbishment

ROMA roof panels have a structurally ideal design and with their long panel lengths are optimal for many different applications in building and adminis-

tration construction as well as refurbishment projects.

We would be pleased to advise you about your next renovation project.

# A wide range of products and design options

## The play of light and shadow

The surface of the roof panel is given visual flair by three large beads at 333mm intervals and three small interspersed beads. This creates an interesting light and shadow effect.

## Colors and coatings

Add color to your roof with ROMA. We offer a wide-ranging color and coating system in standard and custom colors, including polyester paint coatings and other coating systems. This means ROMA

has the right type of roof panel to match your specific technical requirements – while also offering attractive appearance.



We offer you a wide range of attractive colors.

Please see our color chart for more information on cladding layers and color options.

# Properties, technical data, product overview

ROMA is a leading manufacturer of wall and roof sandwich panel elements for industrial and cold-store construction.

We develop, manufacture and market complete systems for industrial construction engineering as well as cold-store and deep-freeze cell and cell-door construction. Climate test chambers, cleanrooms, and specialized climate-control applications are also part of our product portfolio. We have over 70 years of success and experience in highly specialized construction sectors. Ever since its founding, our family-run company has always manufactured top-quality products Made in Germany.

## Approval

General building authority and building law approval for use as roofs/walls. Notification of approval Z-10.4-549 of the DIBt, Berlin and CE marking in accordance with DIN EN 14509.

## Planning details

Please consult our most recent technical data sheets for detailed planning specifications.

[www.romakowski.com/en/insulation-systems/downloads](http://www.romakowski.com/en/insulation-systems/downloads)



Family home with a ROMA roof

## Quality assurance and external monitoring

ROMA's high-precision double conveyor belt production line results in components of the highest quality and measurement accuracy.

### Cladding layers

External:	Galvanized steel	0.5/0.6/0.75mm
Internal:	Galvanized steel	0.4/0.5mm

### Fire tests

D	B1 acc. to DIN 4102 – flame retardant, hard roofing, DIN 18234-1 (D142)
CH	Class 5.3 acc. to VKF Bern
EU	Euro class B-s2, d0 acc. to EN 13501-1, D142 REI 45, D122 REI 15
FM	FM Approval (4880, 4881, 4471)

### System dimensions

Unit width	1068mm
Module width	1000mm
Insulating thicknesses	72, 82, 102, 122, 142, 162, 182mm
Available lengths	Up to 24 m, depending on panel thickness

### Weights, thermal insulation

ROMA quick-assembly insulating panels	Panel thickness	Insulation thickness (without beads)	Panel weight approx. <sup>1)</sup>	U-value certified to EN 14509 with joint <sup>2)</sup>
Type	mm	mm	kg/m <sup>2</sup>	W/(m <sup>2</sup> ·K)
ROMA D 72	72	30	11.5	0.717
ROMA D 82	82	40	11.9	0.542
ROMA D 102	102	60	12.7	0.363
ROMA D 122	122	80	13.5	0.273
ROMA D 142	142	100	14.3	0.219
ROMA D 162	162	120	15.1	0.183
ROMA D 182	182	140	15.9	0.157

<sup>1)</sup> Element weights refer to the standard version (external 0.6mm/internal 0.5mm)

<sup>2)</sup>  $\lambda_{\text{declared}} = 0,022 \text{ [W/mK]}$

This information is non-binding and prepared to the best of our knowledge while taking relevant standards and regulations into consideration. Drawings and pictures serve informational purposes only. All rights reserved by the publisher. Reproduction in whole or in part only by consent of Romakowski GmbH & Co. KG, Buttenwiesen, Germany. Our General Business Conditions (AGB) also apply.



For more information, please visit our website:  
[www.romakowski.com](http://www.romakowski.com)

Romakowski GmbH & Co. KG

Herdweg 31  
86647 Buttenwiesen, Germany  
Phone +49 (0) 8274.999-0  
Fax +49 (0) 8274.999-150  
[info@romakowski.com](mailto:info@romakowski.com)